

KING || **JACK™**

Low Profile Digital HDTV Over-the-Air Antenna

w/built-in KING SureLock™ Digital TV Signal Meter

Owner's Manual



Roof Thickness: 1" to 4-1/2"

Roof Thickness: 4-1/2" to 8"
(when installed with KING extension #21850)

OA8500 • White
OA8501 • Black

CONTENTS

OPERATION and AIMING THE ANTENNA..... 1
CONTENTS and EXTENSION INSTALLATION 2
EXTERIOR BASE MOUNT INSTALLATION 3
INTERIOR ENCLOSURE INSTALLATION 4
POWER INJECTOR INSTALLATION 5
LIMITED WARRANTY 6

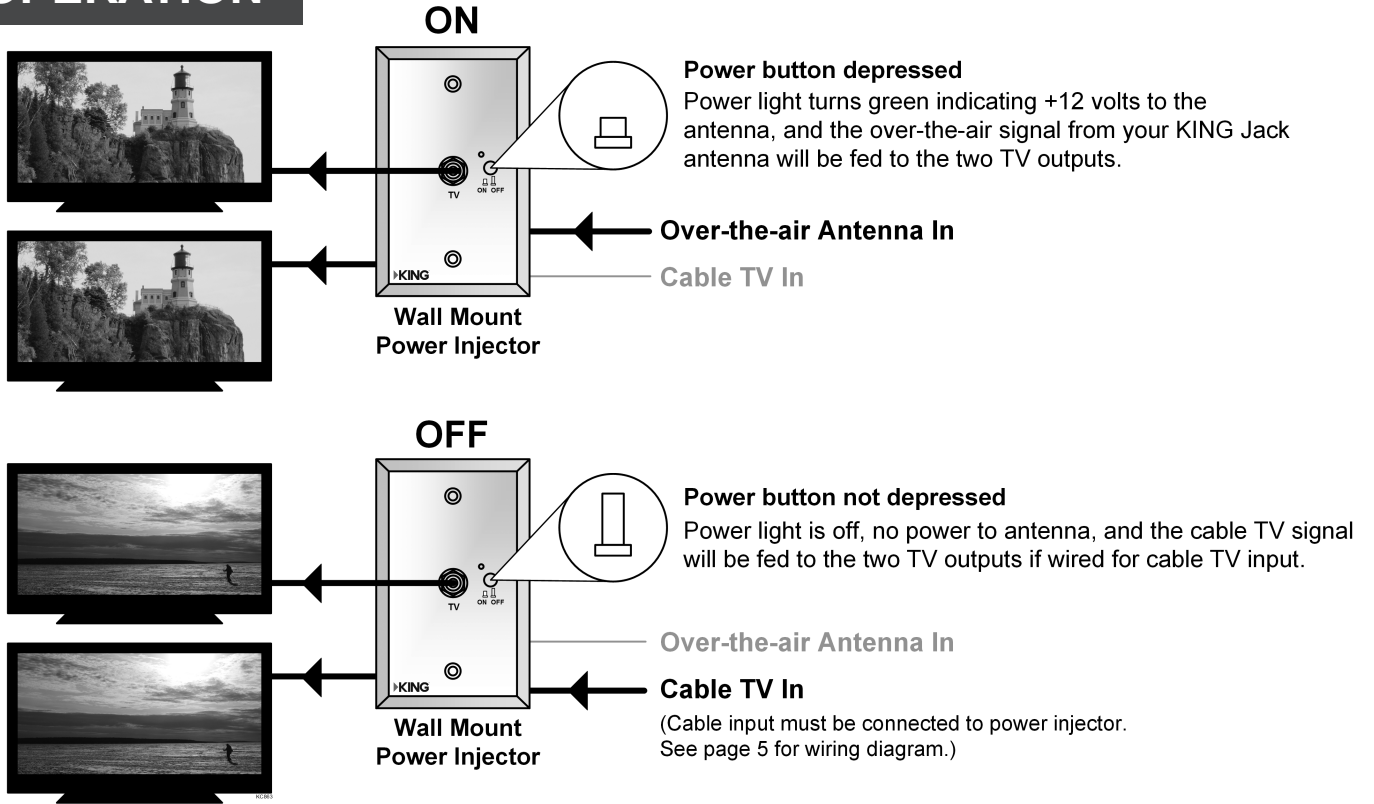
NOTE: Please read thru the installation instructions before beginning.
 See page 2 for items supplied by the installer.
 See page 5 for information on the MB8200 Mounting Plate

SPECIFICATIONS

Dimensions:	8.9" H x 16" W x 12" L	Powered Amplifier:	+12 Volt / 100 mA
Weight:	2.62 lbs.	Power Supply:	KING Power Injector (included)
Frequency Bands:	VHF (54-216 Mhz) UHF (470-698 Mhz) FM (87.9-107.9 Mhz)	Enclosure/Mount:	ASA-Automotive grade
		Signal Meter Frequency Response:	54-698 Mhz (Ch 2-51)

Thank you for choosing a KING Antenna!

OPERATION



AIMING THE ANTENNA

1. Turn on TV and power injector.
2. Turn on KING SureLock Signal Meter with switch on side of enclosure.

3. Press button and turn knob to rotate antenna in one direction until it hits the stop.



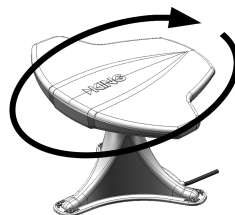
4. Rotate attenuator dial fully clockwise.



5. Rotate antenna a full 360 degrees. Antenna will hit stop again.

As you rotate it, note where the maximum number of LEDs illuminate on signal meter.

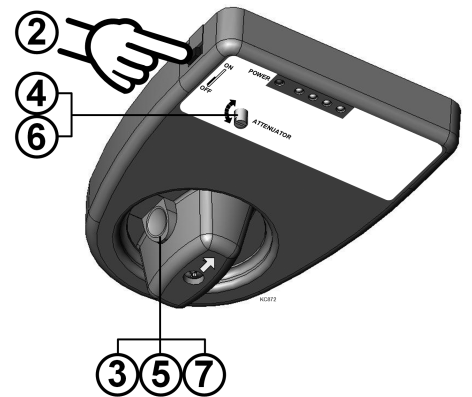
Rotate the antenna back to where the most LEDs illuminated.



6. Rotate attenuator dial counter clockwise until last illuminated LED flickers.
7. Rotate antenna back and forth slightly to illuminate flickering LED.
8. Repeat steps 6 and 7 to pinpoint signal reception.



9. Follow instructions in TV or converter box owner's manual to scan for available channels. Watch TV!



Press button and turn knob to rotate antenna

Arrow on knob indicates which direction antenna is pointing.

LEDs will illuminate from left (next to power) to right.

All LEDs may not illuminate depending on signal strength.

CONTENTS

NOT SUPPLIED

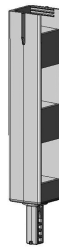
(6) Fasteners for Base Mount to be determined and supplied by installer



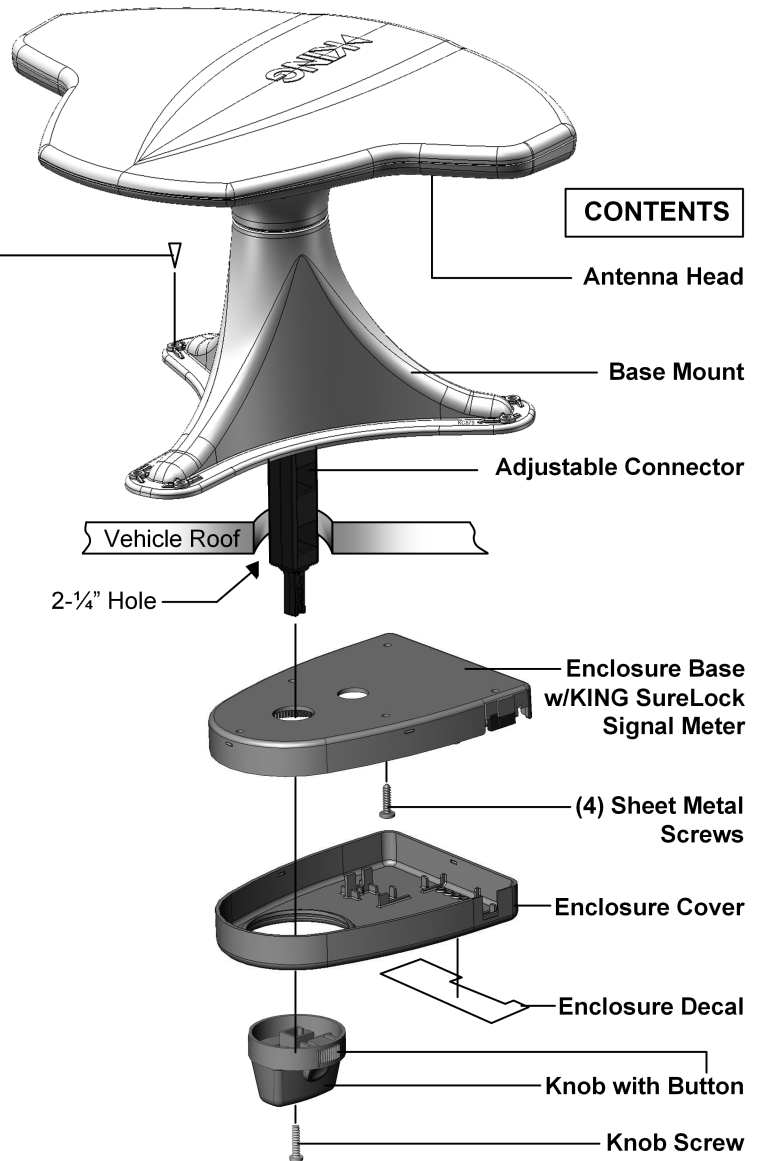
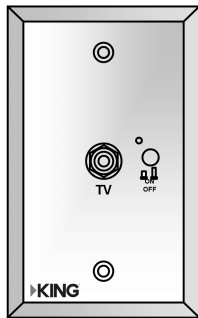
Roof-compatible Sealant

SUPPLIED ACCESSORIES

IMPORTANT!
For roofs 4-1/2" to 8" thick, install KING extension #21850.



IMPORTANT!
You must install the included wall mount power injector to operate the KING Jack antenna (see page 5).



EXTENSION INSTALLATION

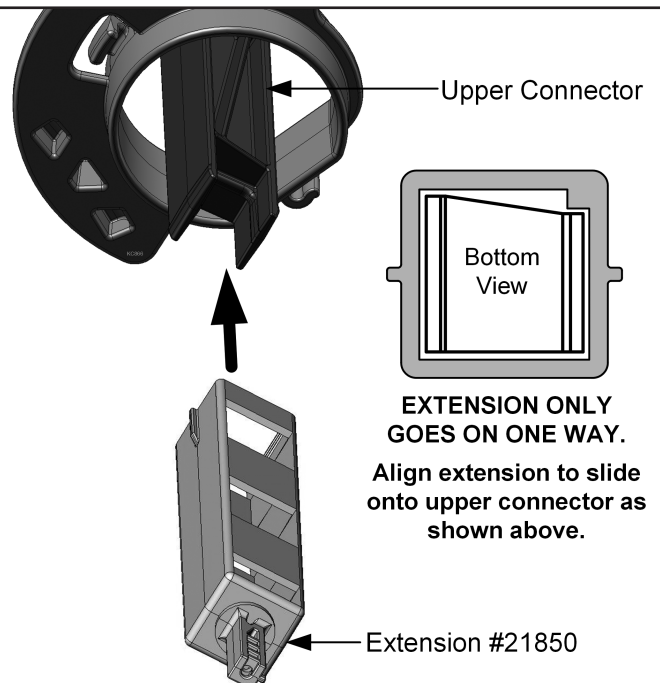
ROOFS 4 1/2" to 8" THICK ONLY!

Roofs thinner than 4 1/2" go to next page.

If your roof is 4-1/2" to 8" thick you will need to install KING extension #21850.

If using the extension, install it now, **BEFORE INSTALLING BASE MOUNT ON ROOF.**

- Remove the existing adjustable connector from the upper connector located in the base mount.
- Extension only fits onto upper connector one way. Line up as shown at right and engage the extension onto the upper connector.
- Leave extension sticking out of base mount more than the thickness of the roof.



EXTENSION ONLY GOES ON ONE WAY.
Align extension to slide onto upper connector as shown above.

EXTERIOR BASE MOUNT INSTALLATION

IMPORTANT! The installer is responsible for determining and supplying the most appropriate fasteners to secure the base mount to the roof and weatherproofing all holes with roof-compatible sealant.

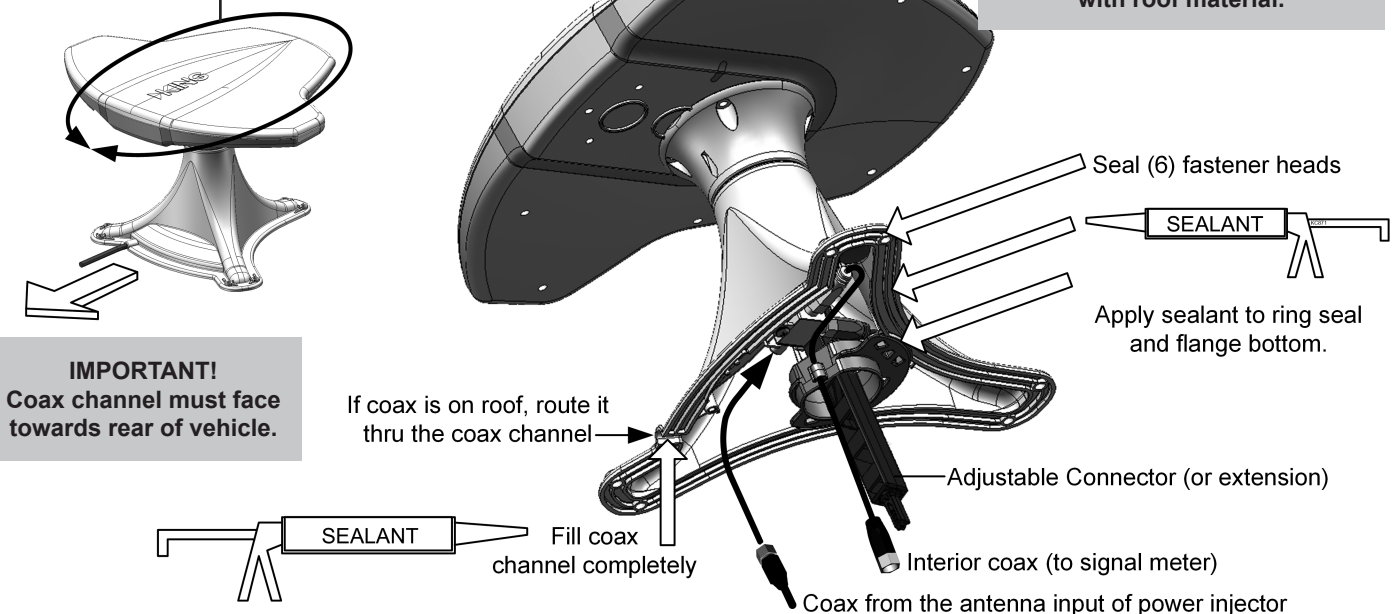
1. Select an area on the roof for the base mount keeping in mind the following **IMPORTANT POINTS**:
 - a) The antenna should be mounted with the coax channel towards the rear of the vehicle.
 - b) The center of the roof hole must be at least 20" away from any object taller than 8" to provide clearance for the antenna head to rotate freely. The center of the roof hole must also be at least 8" from the edge of the roof.
 - c) For roof thicknesses 1" to 6", the roof pitch can not be more than 3 degrees.
 - d) There must be room on the interior ceiling of the vehicle to attach the rotation knob and enclosure to the adjustable connector. The interior enclosure can be mounted in any direction.
2. Drill a 2-1/4" hole **perpendicular to the roof surface** all the way thru the vehicle roof where the adjustable connector will go.
3. Carefully pull out the adjustable connector (or the extension if installed - see page 2) so it will extend beyond the thickness of the roof when the base mount is installed. It must extend thru the roof to allow installation of interior components. Exact length will be adjusted when interior components are installed.
4. Connect the coax from the power injector's antenna input to the open connection on the splitter in the base mount. (The coax may come up thru the roof or enter thru the coax channel.)

IMPORTANT! In Step 5, DO NOT get sealant on the adjustable connector (or the extension if installed - see page 2).

5. Apply sealant to ring seal and base mount, and fill the coax channel with sealant. Place the base mount in position with the adjustable connector and interior coax going thru the roof hole and into the interior of the vehicle. **Make sure adjustable connector (or extension) is centered in hole and the coax channel faces towards the rear of the vehicle.**
6. Hold the base mount in position and rotate the antenna by hand. **It must rotate freely in both directions until it hits the stop**, without interference from sealant, coax, roof insulation, etc. Fasten the base mount to the roof. Make sure the base mount is sealed all the way around. Make sure the coax channel and fastener heads are sealed as well.

IMPORTANT!
Hold base mount in place and rotate antenna in one direction until it hits stop. Rotate antenna in opposite direction until it hits stop (slightly more than 360°). **There must be no interference thru full range of motion.**

IMPORTANT!
Do not get sealant on adjustable connector (or extension). Sealant must be compatible with roof material.



INTERIOR ENCLOSURE INSTALLATION

IMPORTANT!

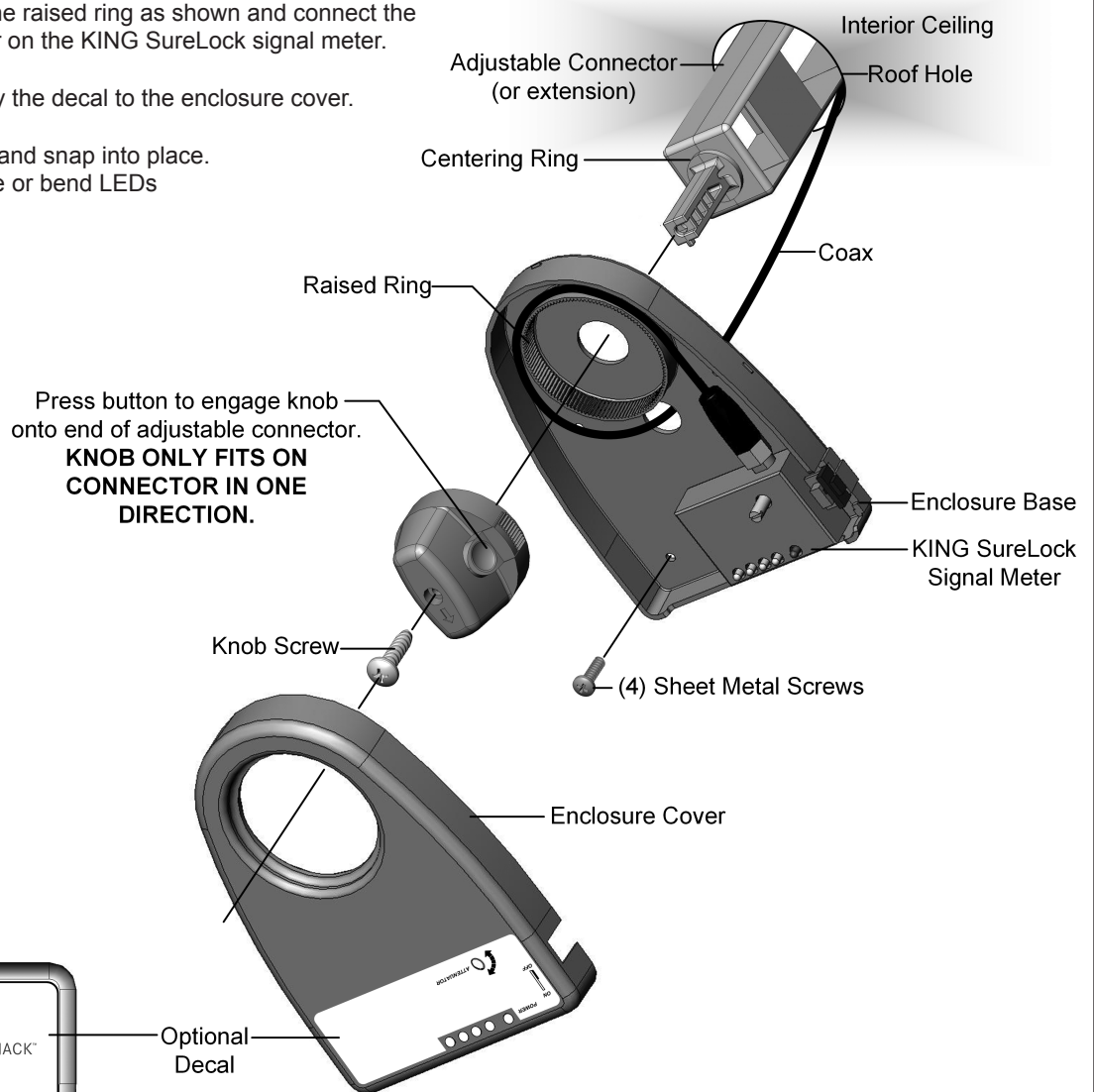
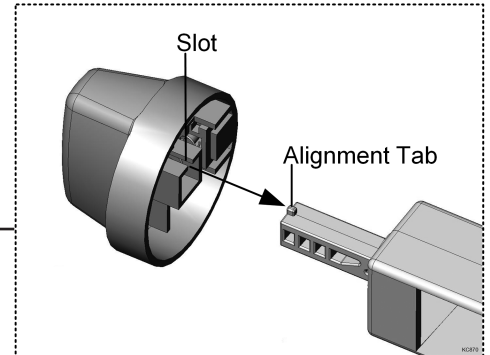
Before starting step 1, turn the adjustable connector (or extension if installed) in one direction until the antenna hits the stop. Now turn the connector all the way in the other direction until the antenna hits the stop again (slightly more than 360°).

THE ANTENNA MUST ROTATE FREELY THRU THE ENTIRE DISTANCE.

1. Press knob button and remove knob from enclosure base.
2. Route the coax thru the coax hole in the enclosure base. Place the enclosure base around the adjustable connector and against ceiling. (The enclosure base will seat around the centering ring on the adjustable connector.) Fasten the enclosure to the ceiling with four included screws.
3. Press the knob button and push knob onto the end of the adjustable connector. **THE KNOB ONLY FITS ON THE END OF THE ADJUSTABLE CONNECTOR IN ONE DIRECTION.** Knob fits into the raised ring on the enclosure.

Fasten knob to connector with screw.

4. Route the coax around the raised ring as shown and connect the coax to the RF connector on the KING SureLock signal meter.
5. Optional: If desired, apply the decal to the enclosure cover.
6. Carefully align the cover and snap into place. Make sure not to damage or bend LEDs or pinch the coax cable.



OPTIONAL:
Carefully align decal as shown and apply.

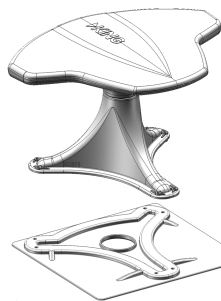
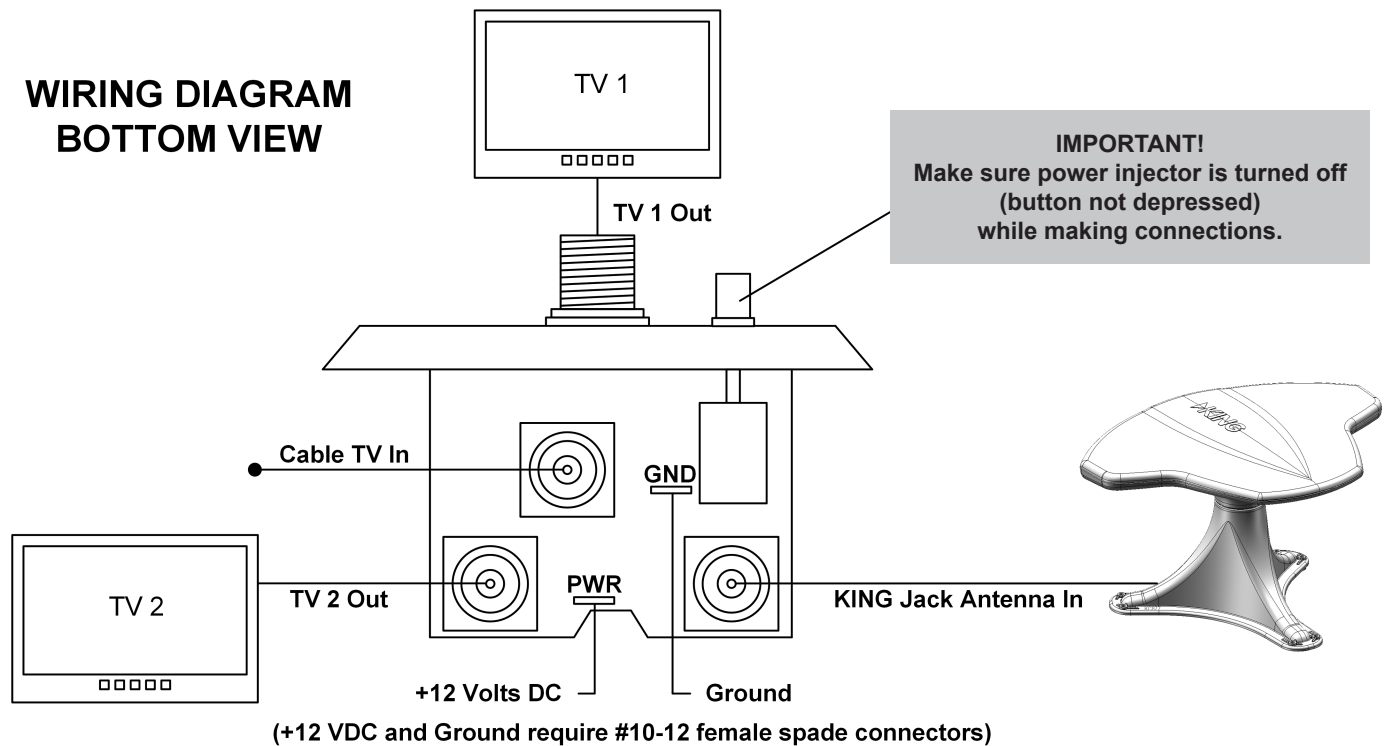


POWER INJECTOR INSTALLATION

The Wall Mount Power Injector:

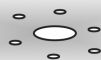
- Can be mounted in most standard electrical boxes.
- Requires a +12 Volt DC power source. (Inadequate voltage may cause the green LED to not illuminate and the unit to not function properly.)
- Requires #10-12 female spade connectors for power and ground connections.
- Has an internal fuse rated @ 400 mA max. If tripped, the fuse will reset when the circuit cools.
- Is not an amplifier. No devices other than those shown below should be connected.

WIRING DIAGRAM BOTTOM VIEW



KING Jack Antenna

MB8200 (Sold separately)



Vehicle Roof with existing holes

MB8200 Mounting Plate

The MB8200 provides a convenient way to cover your previous crank-up antenna's mounting holes for a watertight seal.

Please see your dealer or contact KING at (952) 922-6889 or visit our website at kingconnect.com.

LIMITED WARRANTY

IMPORTANT! Do not power wash any part of the KING Jack antenna head or base mount.

Every new KING Jack HDTV Antenna System is thoroughly inspected and tested before leaving the factory, and is covered by the following four-year parts and one-year labor limited warranty from the date of original purchase:

- Four-year parts warranty: The customer is not responsible for the cost of replacement parts if the original part is determined to be defective under the terms of the warranty. The customer is responsible for the cost of replacement parts after four years.
- One-year labor warranty: The customer is not responsible for labor costs to repair unit if unit falls under the terms of the warranty. Any warranty labor outside of that performed at the factory is not covered unless the product has been installed by an authorized dealer/installer or OEM manufacturer. The customer is responsible for all labor costs after one year.

Should any trouble develop during the warranty period, contact KING. You must contact KING before the warranty period expires. The customer must supply proof of purchase (such as a dated sales receipt) when requesting warranty service. If customer cannot supply proof of purchase, warranty period shall start 30 days after date of manufacture.

Only KING and certified dealers are authorized to perform warranty evaluations and repairs. Depending upon the problem, KING may authorize the dealer to perform the necessary repairs, or may have the unit returned to KING for repairs.

A certified dealer must not perform any repair without first contacting KING for a Service Order Number. KING will advise the dealer on how to proceed with any repairs.

If it is determined that the unit needs to be returned to KING, customer must return COMPLETE product, freight prepaid, to: **KING, 11200 Hampshire Avenue South, Bloomington, MN 55438-2453.**

If inspection shows the trouble is caused by defective workmanship or material, KING will repair (or at its option, replace) without charge.

When returning product, KING will supply an RMA number (Return Merchandise Authorization). This number must be clearly written on the box. Failure to clearly write RMA number on box may result in delays in processing claim. Along with product, customer should include in the box: his/her name, address, daytime phone number, proof of purchase and description of the problem.

This warranty does not cover installation and external wiring, or remanufactured units. This warranty is not transferable from the original owner.

This warranty also does not apply where:

- The product has been abused, misused, improperly installed or improperly maintained.
- Repairs have been made or attempted by others that are not certified by KING to do such repairs.
- Repairs are required because of normal wear and tear.
- Alterations have been made to the product.
- The product enclosure has been opened without authorization.
- Damage has been caused by power washing.
- Circumstances beyond the control of KING cause the product to no longer operate correctly.
- Customer is not the original owner.

In no event shall KING be liable for any indirect, incidental, or consequential damages from the sale or use of the product. This disclaimer applies both during and after the term of the warranty.

KING disclaims liability for any implied warranties, including implied warranties of “merchantability” and “fitness for a specific purpose,” after the term of the warranty.

This warranty gives you specific legal rights, and you may also have other rights, which vary from state to state. Some states do not allow the exclusion or limitation of incidental or consequential damages, so the above limitation or exclusion may not apply to you. Some states do not allow limitations on how long an implied warranty lasts, so the above limitation may not apply to you.

Simply better, by design.™



11200 Hampshire Avenue South, Bloomington, MN 55438
PH 952.922.6889 || FAX 952.922.8424 || kingconnect.com

© 2016 KING 22600 Rev A